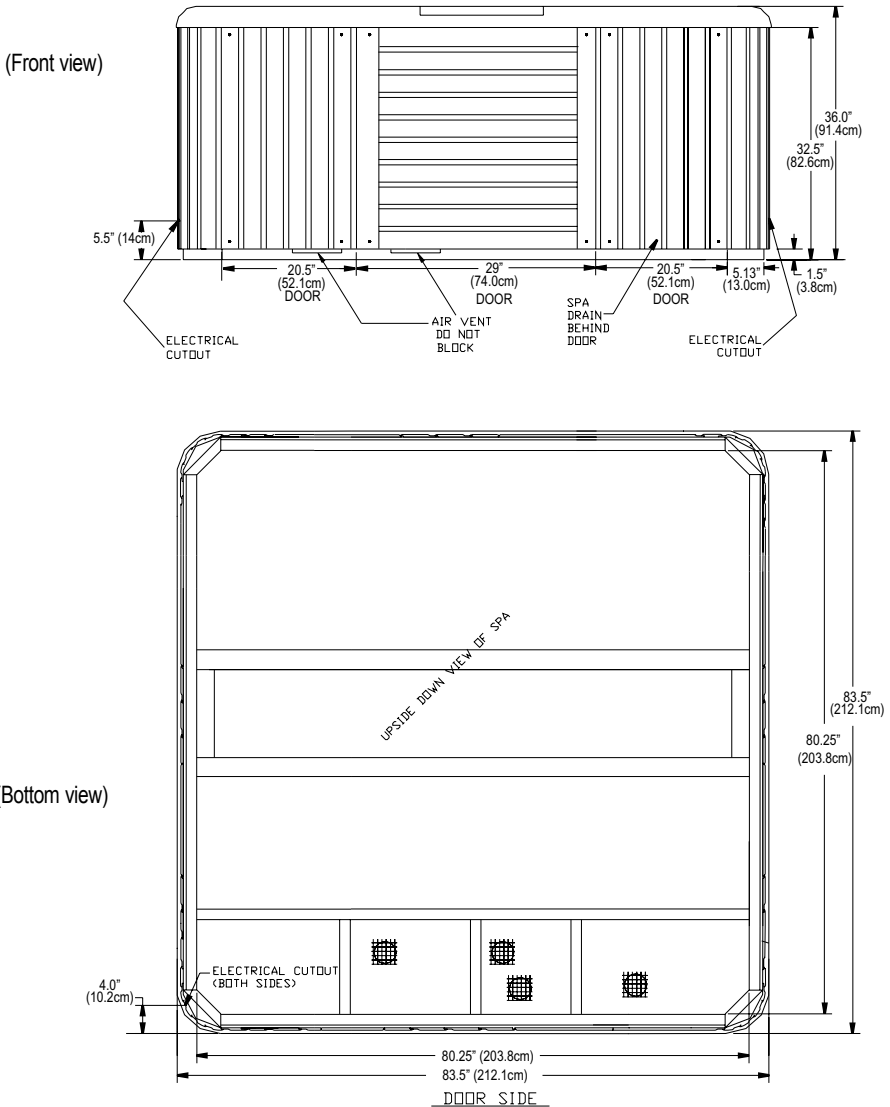


RELAY™

Dimensions

NOTE: All dimensions are approximate; measure your spa before making critical design or pathway decisions.



NOTE: Watkins Manufacturing Corporation recommends that the Relay be installed on a minimum 4" thick reinforced concrete pad or structurally sound deck able to support the "dead weight" found in the spa specification chart.

WARNING: THE RELAY MUST NOT BE SHIMMED IN ANY MANNER.