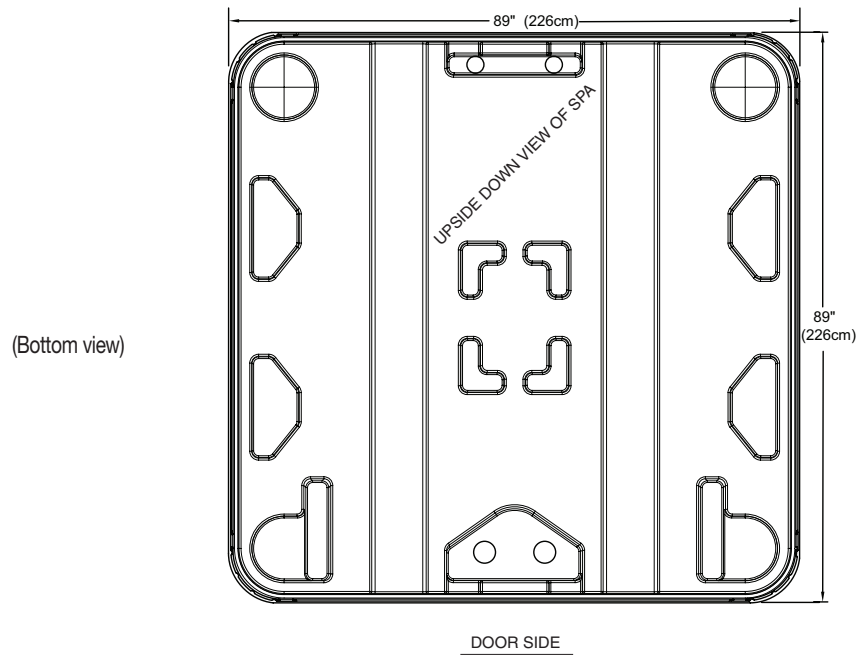
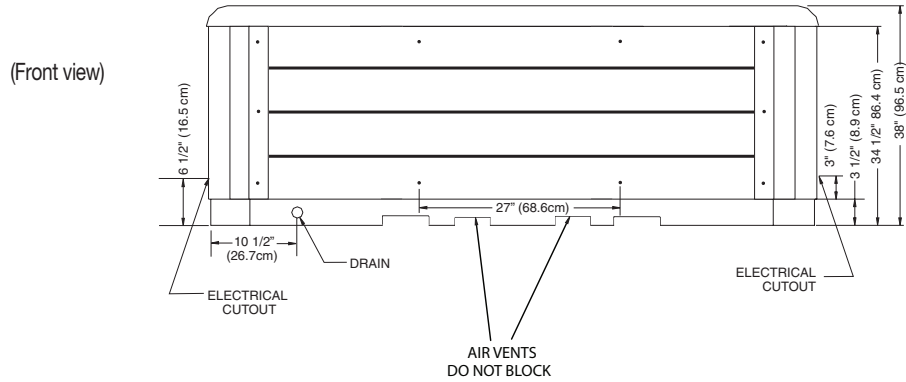


# PULSE™ (Model PLS)

## Dimensions

**NOTE:** All dimensions are approximate; measure your spa before making critical design or pathway decisions.



**NOTE:** Watkins Manufacturing Corporation recommends that the Pulse be installed on a minimum 4" thick reinforced concrete pad or structurally sound deck able to support the "dead weight" found in the hot tub specification chart.

**WARNING:** The Pulse must not be shimmed in any manner.